

kooziegroup®

dream it

& we can do it!



customization & sourcing made easy

why choose **kooziegroup**[®] for all your customization & sourcing?

We want to do business in a way that benefits our people, our customers, our communities, and our industry.



We are part of the PPAI “We Are Product Safety Aware” initiative to create confidence in promo products as an advertising medium at every level.



We are C-TPAT Tier II Certified by US Customs which evidences our superior commitment to supply chain security.



The Experience Safety council promotes company-wide messaging and conducts regular analysis to provide a safer work environment for all our People.

- Rigorous product testing
- All products are Prop 65 compliant
- All plastic drinkware is BPA free
- Technology items tested to UL, UN, and FCC standards
- Health, Wellness & Safety products are FDA-regulation compliant
- Products comply with the CPSIA, which sets forth testing requirements for children’s products
- All plush products are 0+ tested and safe for people of all ages
- We monitor our supply chain through third-party audits and internal audits to ensure no forced labor is used to make our cotton products

Our collection of FSC[®]- & SFI[®]-certified products continues to expand.

All our domestic facilities have earned FSC[®] certification; our Sleepy Eye facility has also earned SFI[®] certification.



The mark of responsible forestry



SUSTAINABLE FORESTRY INITIATIVE
SFI-02011



CarbonNeutral.com

We are a certified **CarbonNeutral**[®] company on Scope 1 and Scope 2 greenhouse gas emissions as well as some Scope 3 emissions.

Koozie Group has offset unavoidable emissions by supporting different projects, including forest conservation in Brazil that protects 460,000 acres of the Amazon rainforest.

[click here to view our Keep It. Give It.[™] vision.](#)

product safety & social responsibility

global custom sourcing expertise

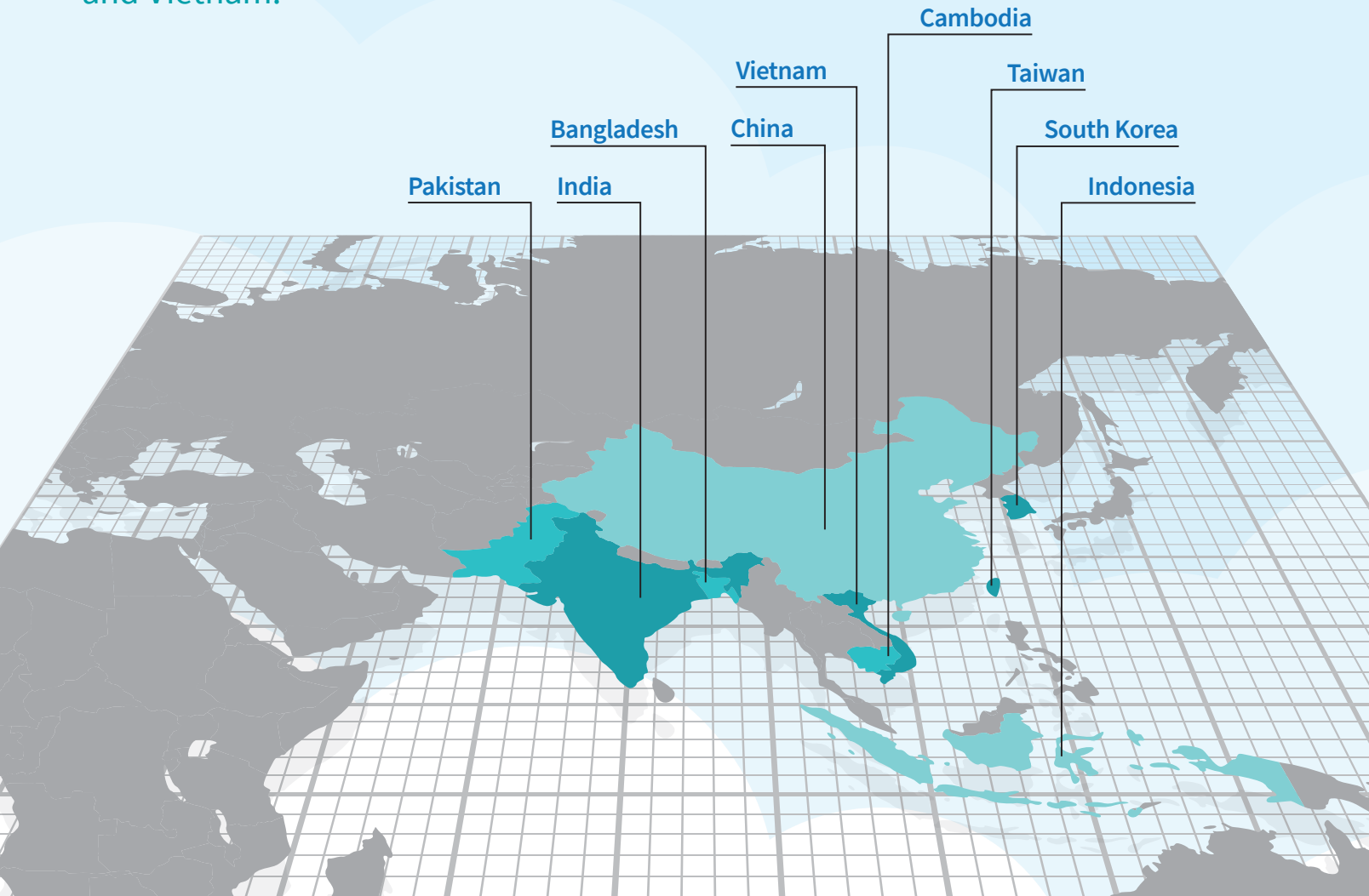
Our dedicated Asia team oversees product sourcing and has access to hundreds of factories worldwide. We work with 100+ suppliers and 225+ factories located in Bangladesh, Cambodia, China, India, Indonesia, Pakistan, South Korea, Taiwan, and Vietnam.



Low minimum order quantities



Reduced freight through our network of carriers



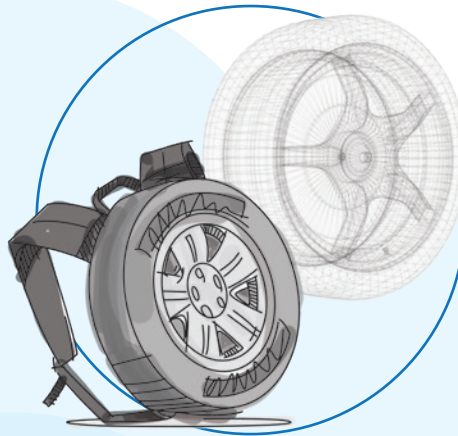
Contents

Intro to Custom Sourcing.....	2	Custom in the USA!.....	10
Headwear.....	3	Souvenir® Sticky Note™ Products & Magnets.....	11
Plush.....	4-5	Custom Calendars.....	12
Bags & Coolers.....	6	Printing Capabilities.....	13
Umbrellas.....	7	Totes.....	14
SCX Innovative Design™.....	8	Writing Instruments.....	15
Universal Source®.....	9	Custom Packaging.....	16

dream it & we can do it!



dream it!



design it!



realize it!

One-of-a-kind items

From design concepts to final production, our team can make your vision come to life.



Large orders

Save money by sourcing a large order directly from the manufacturer.



Tailor our stock products

Whether you're looking for custom colors, size adjustments, unique imprint areas/methods, or any other specifications, we're here to make it happen!

Spot an item from one of our brand partners that you're interested in but we don't currently offer it? Reach out - we can likely source it!



customization & sourcing made easy

headwear



rubber patches



all-over prints



appliqués



visors



fun fabrics



embroidered patches



Minimum Order Quantity: Starting at 3,000 pieces

Preproduction Sample: 2-3 weeks

Lead Time: Starting at 30 days after sample approval plus 4-6 weeks transit time

Imprint Options: Leather patches (pictured), rubber patches, embroidered patches, sublimation, screen print, embroidery, appliqués, and so much more!

Imprint anywhere on the hat.

customization & sourcing made easy

plush



hand puppets



pet toys



silly creatures



food & snacks



sports balls



slippers



golf club covers



matching characters

product story idea

A sports team could create a custom plush that looks just like its beloved mascot, whether it's an animal, an alien, or something entirely unique. The soft stuffie would make a great pregame giveaway to fans, especially during a Kid's Night event. Each plush could wear an imprinted T-shirt or feature the team's embroidered logo. To score even more points with fans, the team could even make the custom plush available for sale in its stadium store.

customization & sourcing made easy

plush



embroidered logos & patches



stitched tags



outfits & accessories



colorful materials



holiday themes



novelty sizes

great for:

sports teams, corporate mascots, restaurants, museums, zoos, theme parks, auto dealerships and service centers, hospitals and clinics, family-friendly events, employee and customer appreciation, and more!

Minimum Order Quantity: Starting at 1,000 pieces

Preproduction Sample: 2-3 weeks

Lead Time: Starting at 45 days after sample approval plus 4-6 weeks transit time

Imprint Options: Screen print, embroidery, full color, sublimation, custom tags, and more!



**Our plush
is CPSIA
compliant for
ages 0 and up!**

customization & sourcing made easy

bags & coolers



all-over prints



sublimation



patches



unique imprint locations



waist packs



delivery bags



Minimum Order Quantity: Starting at 3,000 pieces
Preproduction Sample: 2-3 weeks
Lead Time: Starting at 30 days after sample approval plus 4-6 weeks transit time
Imprint Options: Screen print, embroidery, full color, patches, sublimation, and so much more!

Brag about your bag.

43% of consumers would keep and use a promo bag for at least two years.*

*2023 ASI Ad Impressions Study

customization & sourcing made easy

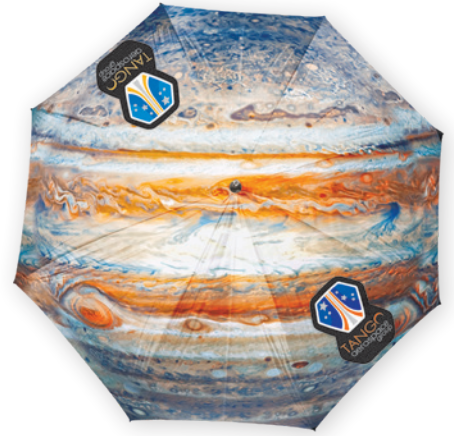
umbrellas



custom handle inserts



laser-engraved handle



sublimation canopy



custom colors



case imprint



tie imprint

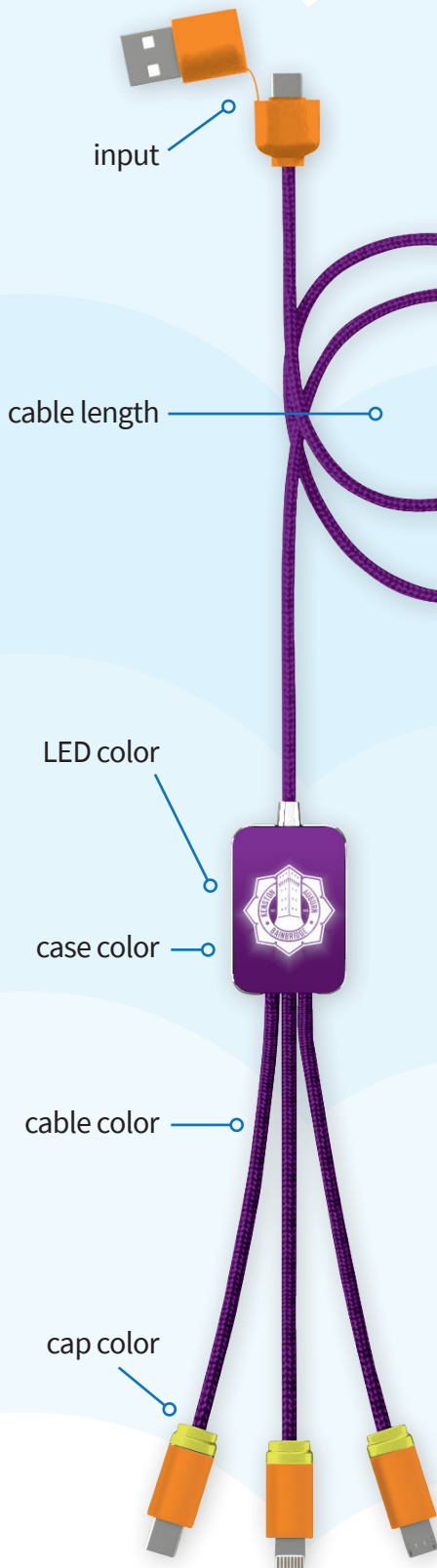


Minimum Order Quantity: Starting at 3,000 pieces
Preproduction Sample: 20-30 days
Lead Time: Starting at 90-100 days after sample approval plus 60-65 days transit time
Imprint Options: Screen print, embroidery, full color, patches, sublimation (pictured), laser engraving, and so much more!

**Start from scratch
or customize one of
our stock options.**

customization & sourcing made easy

SCX Innovative Design™



custom imprinting and laser etching



box imprint

Minimum Order Quantity: Starting at 200 pieces

Preproduction Sample: 2-3 weeks

Lead Time: Starting at 30 days after sample approval plus transit time

Imprint Options: Offset, laser, or both!

click here to view SCX Innovative Design™ videos.

Additional options:

Optional Data Transfer upgrades the standard charging cable to allow information sharing.

Near Field Communication (NFC) allows two devices to communicate wirelessly when they're close together. When added to a tech accessory, it can act as an invisible QR code that will direct anyone with an enabled device to easily visit a URL of your choice.

customization & sourcing made easy

Universal Source[®]



beach towels



bandanas/buffs



silicone bracelets



grocery totes

lanyards



Choose from several hook, clasp, and holder options.



split ring



swivel clasp



ring & loop



swivel snap hook



safety neck breakaway



swivel lock hook



metal crimp



badge holder landscape



badge holder large

The Universal Source[®] brand is your solution for direct importing at a great low price.

- New products always launching.
- Create a custom product with a unique color match, material, or design element.
- Select from a stock product assortment with low minimums.
- Get high-volume production quantities on most stockline items at remarkable savings.

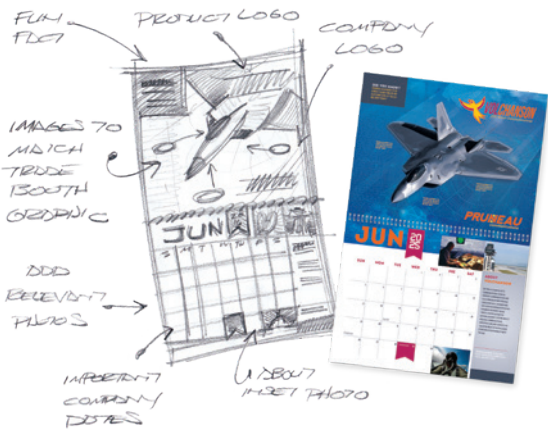
Overseas lead time

Universal Source[®] items ship from our global partners. Benefits include low pricing, selection, and customization expertise. Overseas items may require longer lead times.

[click here to view Universal Source[®] products.](#)

Need a custom product *FAST*?

Items assembled or printed in the USA can be customized to fit your needs and **bypass the long transit times!**



unique calendars



one-of-a-kind paper products



all-over-print cotton totes



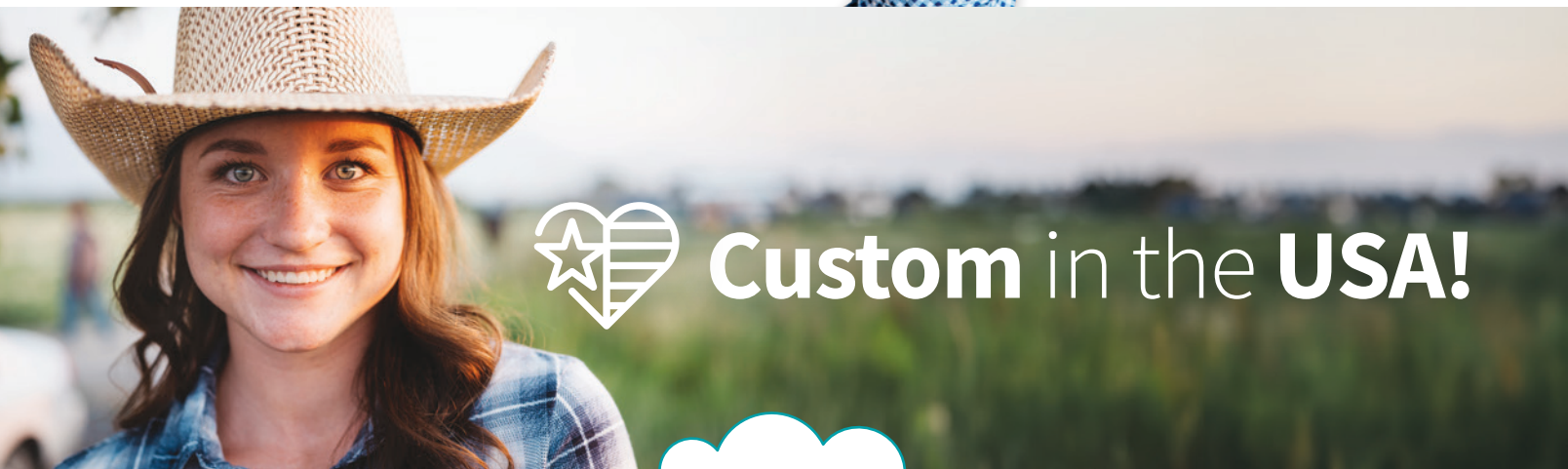
fun magnets



custom-colored pens



standout packaging & kitting



Custom in the USA!

customization & sourcing made easy

Souvenir® Sticky Note™

Adhesive & Non-Adhesive Notepads



engaging custom shapes



eye-catching full color



make a lasting impression



entertain & educate

Minimum Order Quantity: Starting at 5000 pieces
Lead Time: 15 working days after proof approval
Imprint Options: Digital



The mark of responsible forestry

materials matter

The FSC® label means that the materials used for this product come from well-managed FSC®-certified forests and other controlled sources.

customization & sourcing made easy

magnets



unique - just like you!



brilliant 4-color process imprint



made in USA of foreign content



made with recycled materials

Minimum Order Quantity: Starting at 5,000 pieces
Lead Time: 5 working days after proof approval
Imprint Options: Digital

magnetic appeal

In the kitchen or on the road, custom shaped magnets will promote your business, school, or special event.

customization & sourcing made easy

custom calendars

Some of the ways we can customize a calendar

- size, shape, and dimension
- provide your own images or choose from our extensive gallery
- paper and coatings
- insert sheets
- beginning month
- date grids
- custom holiday lists and/or date block overprint
- colors
- personalization



Ready to set off on a great adventure?

Join our experienced program managers, with a combined 300+ years of experience, as they guide you through the process from start to finish.

Come to the table with your own ideas or rely on our expert in-house design team to generate concepts that help your customer's calendar take flight.

Big or small...we design for them all! Whether it's big national companies or small local ventures, a custom calendar can benefit every business. Our dedicated custom program managers will guide you through the process from creating a mock-up to project management to production and fulfillment. Our goal is to make the custom calendar process simple.

Did you know?
Custom mock-ups have a **26% close rate!**



materials matter

Most of our calendars are produced in our Sleepy Eye, Minnesota, facility, which has been **Forest Stewardship Council® (FSC®)** and **Sustainable Forestry Initiative® (SFI®)** certified since 2021. **Nearly 95% of our calendars** carry one of these **certifications**, which are identified on the product so your customers know that sustainability is important to you, too.

From concept to completion

We print ink on paper.

Our **team of experts** can provide dedicated support on any ink-on-paper project.



click here to learn about our Commercial Print Capabilities.

custom print sales:
800.336.9198

As a full-service printer, we can create, posters, signs, brochures, catalogs, flyers, menus, counter cards, gift certificates, custom calendars, custom planners, and more!



customization & sourcing made easy

made-to-order all-over-print cotton totes

These all-over-print cotton totes offer edge-to-edge printing that allows you to create a one-of-a-kind bag with only a 10-day production time! Plus, they're assembled in the USA so you avoid long transit times!



VBAG072
Made to Order Flat Tote
All Over Print

VBAG073
Made to Order Gusseted Tote
All Over Print

VBAG074
Made to Order Zippered Tote
All Over Print

[click here to view made-to-order totes.](#)

Want more options?

Reach out to us and we can customize size, cotton weight, and more.

Great for:

- Holiday gift packaging
- Resort welcome bags
- Wedding guest gift bags
- Trade shows
- Retail stores
- Reusable shopping bags

Minimum: Only 50 pieces!
Production Time: Starts at just 10 business days (catalog quantities only)

Our 6 made-to-order all-over-print cotton totes are assembled in the USA with cotton grown in India.



need custom color fast?

We can do that on 20+ pens!

Minimums start at 25K and can be completed in as few as 4–6 weeks. Our pen gurus mold, assemble, and imprint these writing instruments in Clearwater, Florida, so there are no long transit times to worry about.



Gallant GREEN

Brave BLUE



Show off your team pride at the stadium and in the office!

[click here to view our mix and match selection.](#)

Need something faster?

Mix and match stock-color components on select pens for hundreds of combination options. Plus, they're available on 24-Hour Service – **all at no additional charge!**

MIX
MATCH



customization & sourcing made easy

custom packaging

Provide us the details

- What item(s) you would like to include in your packaging?
- Provide us a target price and quantities (required).
- Timelines are helpful but not required.
- Is the package going to one location or multiple addresses?
- Will you use your preferred carrier or require a freight quote?



Pick your packaging

- Select either a corrugated or chipboard box; then, choose your closure option: inside tuck, outside tuck, two piece, or fold above.
- Don't forget about the inside packaging – pick from shreds, foam trays, corrugated insert trays, and more!
- If you aren't sure, no problem! We will provide the best options based on your target price.



Virtual proof and approval

- Once you approve the quote, we'll provide a virtual proof.
- When you are ready, place your order. Make sure to reference the quote number on your order!
- Production begins upon final approval.



Recycled options are available

Ask your rep for more details.



Are you ready? Let's get started



Bring us your ideas!

Send us images, examples, sketches, whatever you have, and we'll get started. Let us know the imprint location, method, quantity, color, and in-hands date. Reach out to us at customerservice@kooziegroup.com, call **1-888-446-5242**, or contact your **Koozie Group® Sales Representative** to get started.

Customization & Sourcing Made Easy



US: 40480
CA: 40481



560705

keep *the good* going®

kooziegroup®

Part #: 91664 | Printed in the USA on FSC®-certified paper



Koozie Group, the Koozie Group® logo, kooziegroup.com, Koozie®, KAPSTON®, Souvenir®, Atchison®, The Viking Collection®, Triumph® Calendars, Good Value™, HotLine® Products, Chelsea Teddy Bear™, EPEX®, JAFFA®, Paws N Claws®, Andrew Philips®, Universal Source®, PrevaGuard® and all related trademarks, logos, and trade dress are trademarks or registered trademarks of Koozie Group and/or its affiliates or licensors and may not be used without written permission. ©2024 Koozie Group, Clearwater, FL 33760. MP-5054